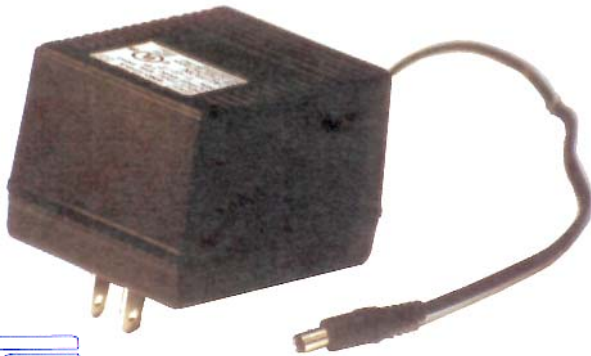




# Linear Adapter (120V only)

**EI57 UL**  
Unregulated Wall Mount series



### Description:

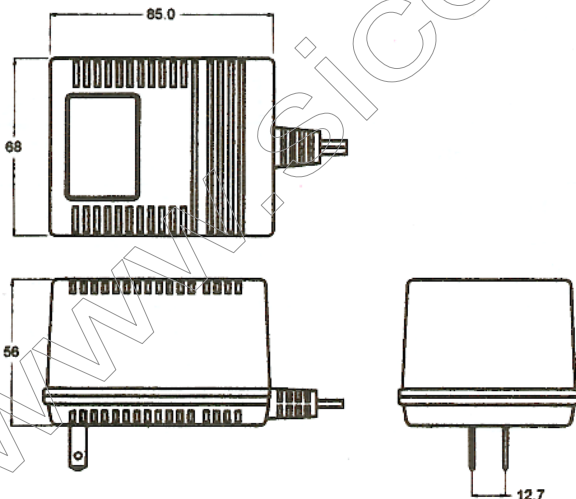
The EI57 unregulated wall mount series is a single DC output, linear adapter.

It has a maximum output power up to 16.2 W, with a maximum output current up to 2.5 A, and an output voltage from 3V to 36V.

### General Specifications:

Input voltage .....	120V AC +6% -10%	Leakage current .....	<0.25mA
Input frequency .....	57Hz to 63Hz	Thermal protection .....	positive thermal cut-off
Outputs .....	see output table	Altitude .....	will operate properly at any altitude between 0 to 10000 ft.
Operating temperature .....	0°C to 40°C	Safety .....	UL 1950, C-UL
Storage temperature .....	-40°C to +85°C		UL file n° E193755

### Mechanical Specifications:



### Notes:

- Dimensions show in mm (inch) as above.  
Tolerance specified is  $\pm 2$ mm (Excluding cables).
- Size: 85 x 68 x 56 (mm)  
3.35 x 2.68 x 2.2 (inch)
- Connectors:  
AC input : America 2 pin, Wall mount type  
DC output : 6ft output cord



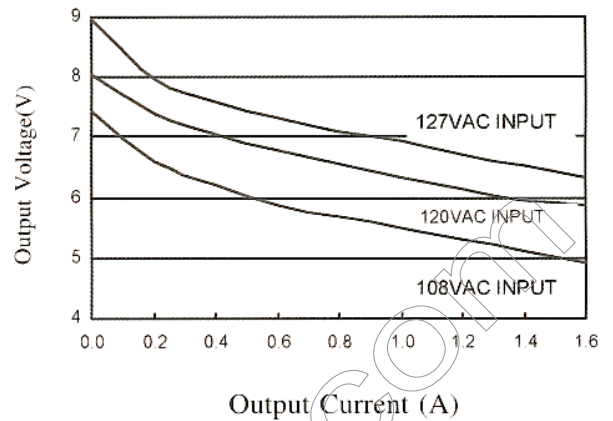
# Linear Adapter (120V only)

**EI57 UL**  
Unregulated Wall Mount series

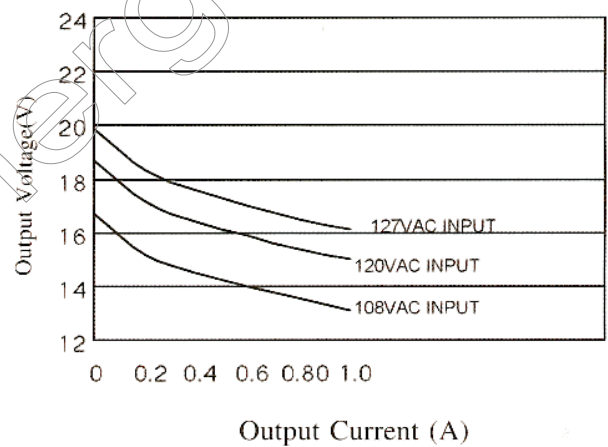
## Output Specifications:

MODEL NO.	OUTPUT (VDC)	LOAD (A)	POWER (W)	NO LOAD (V)
WND-0316	3	1.6	4.8	< 5
WND-0320	3	2	6	< 5
WND-0325	3	2.5	7.5	< 5
WND-0516-A	4.5	1.6	7.2	< 7.2
WND-0525-A	4.5	2.5	11.3	< 8.5
WND-0525	5	2.5	12.5	< 9
WND-0616	6	1.6	9.6	< 9.2
WND-0625	6	2.5	15	< 10
WND-0712	7.5	1.2	9	< 12
WND-0715	7.5	1.5	12	< 12
WND-0718	7.5	1.8	13.5	< 12
WND-0810	8	1	8	< 12
WND-0812	8	1.2	9.6	< 12
WND-0815	8	1.5	12	< 12.5
WND-0818	8	1.8	14.4	< 13
WND-0912	9	1.2	10.8	< 13.5
WND-0915	9	1.5	13.5	< 14
WND-1212	12	1.2	14.4	< 18.5
WND-1213	12	1.3	15.6	< 18.5
WND-1307	13.5	0.7	9.5	< 21
WND-1310	13.5	1	13.5	< 21
WND-1312	13.5	1.2	16.2	< 21
WND-1504	15	0.4	6	< 22
WND-1510	15	1	15	< 23
WND-1808	18	0.8	14.4	< 27.8
WND-2005	20	0.5	10	< 31
WND-2008	20	0.8	16	< 31
WND-2406	24	0.6	14.4	< 36
WND-2706	27	0.6	16.2	< 38
WND-3005	30	0.5	15	< 39

## Output voltage and current curve:



WND-0616



DND-3608

Note:

The RMS ripple and noise of output is less than 800mV at rated load, 120V/60Hz AC input.