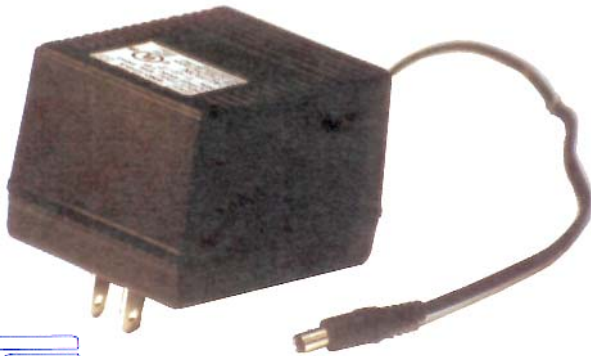




# Linear Adapter (120V only)

**EI57 UL**  
Regulated Wall Mount series



### Description:

The EI57 regulated wall mount series is a single DC output, linear adapter.

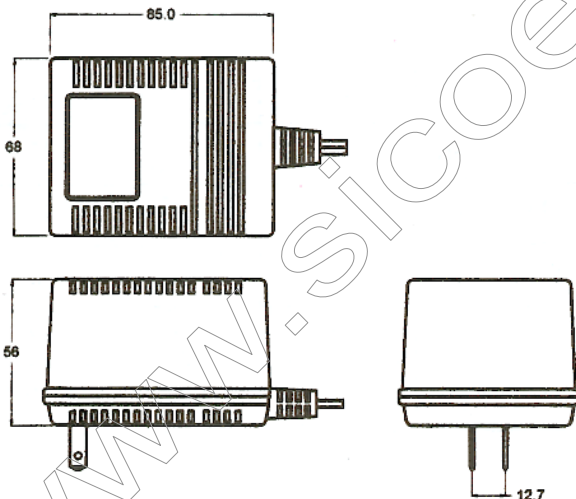
It has a maximum output power up to 16.2 W, with a maximum output current up to 2.5 A, and an output voltage from 3V to 36V.

### General Specifications:

Input voltage .....120V AC +6% -10%  
 Input frequency .....57Hz to 63Hz  
 Outputs .....see output table  
 Output voltage..... $\pm 5\%$  at nominal output power  
 Ripple noise..... $<2\%$  at nominal output  
 Leakage current ..... $<0.25\text{mA}$   
 Positive protection against short circuit and over heat

Thermal protection .....positive thermal cut-off  
 Operating temperature ..... $0^{\circ}\text{C}$  to  $40^{\circ}\text{C}$   
 Storage temperature ..... $-40^{\circ}\text{C}$  to  $+85^{\circ}\text{C}$   
 Altitude .....will operate properly at any altitude between 0 to 10000 ft.  
 Safety .....UL 1950, C-UL  
 UL file n° E193755

### Mechanical Specifications:



### Notes:

- Dimensions show in mm (inch) as above.  
Tolerance specified is  $\pm 2\text{mm}$  (Excluding cables).
- Size: 85 x 68 x 56 (mm)  
3.35 x 2.68 x 2.2 (inch)
- Connectors:  
AC input : America 2 pin, Wall mount type  
DC output : 6ft output cord



# Linear Adapter (120V only)

**EI57 UL**  
Regulated Wall Mount series

## Output Specifications:

MODEL NO.	OUTPUT (VDC)	LOAD (A)	POWER (W)
WND-0315-R	3	1.5	4.5
WND-0315-R1	3.3	1.5	4.95
WND-0415-R1	4.5	1.5	6.75
WND-0510-R	5	1	5
WND-0512-R	5	1.2	6
WND-0515-R	5	1.5	7.5
WND-0608-R	6	0.8	4.8
WND-0610-R	6	1	6
WND-0612-R	6	1.2	7.2
WND-0615-R	6	1.5	9
WND-0708-R1	7.5	0.8	6
WND-0710-R1	7.5	1	7.5
WND-0712-R1	7.5	1.2	9
WND-0715-R1	7.5	1.5	11.25
WND-0805-R	8	0.5	4
WND-0808-R	8	0.8	6.4
WND-0810-R	8	1	8
WND-0812-R	8	1.2	9.6
WND-0905-R	9	0.5	4.5
WND-0908-R	9	0.8	7.2
WND-0910-R	9	1	9

MODEL NO.	OUTPUT (VDC)	LOAD (A)	POWER (W)
WND-0912-R	9	1.2	10.8
WND-1205-R	12	0.5	6
WND-1206-R	12	0.6	7.2
WND-1208-R	12	0.8	9.6
WND-1210-R	12	1	12
WND-1504-R	15	0.4	6
WND-1505-R	15	0.5	7.5
WND-1506-R	15	0.6	9
WND-1508-R	15	0.8	12
WND-1803-R	18	0.3	5.4
WND-1804-R	18	0.4	7.2
WND-1805-R	18	0.5	9
WND-1806-R	18	0.6	10.8
WND-2003-R	20	0.3	6
WND-2004-R	20	0.4	8
WND-2005-R	20	0.5	10
WND-2006-R	20	0.6	12
WND-2402-R	24	0.2	4.8
WND-2403-R	24	0.3	7.2
WND-2404-R	24	0.4	9.6
WND-2405-R	24	0.5	12