



Linear Adapter (120V only)

EI48 UL
Unregulated wall-mount series



Description:

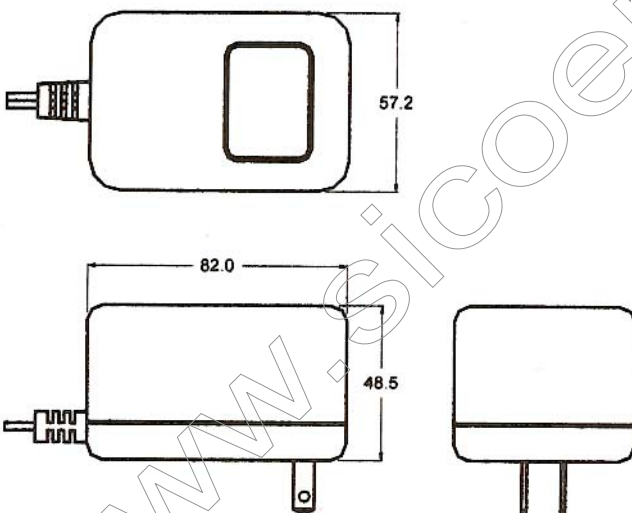
The EI48 UL unregulated wall mount series is a single DC output, linear adapter.

It has a maximum output power up to 12W.

General Specifications:

Input voltage	120V AC +6% -10%	Leakage current	<0.25mA
Input frequency	57Hz to 63Hz	Thermal protection	positive thermal cut-off
Outputs	see output table	Altitude	will operate properly at any altitude between 0 to 10000 ft.
Operating temperature	0°C to 40°C	Safety	UL 1950, UL 1310, C-UL
Storage temperature	-40°C to +85°C		UL file n° E132267

Mechanical Specifications:



Notes:

- Dimensions show in mm (inch) as above.
Tolerance specified is ± 2 mm (Excluding cables).
- Size: 82 x 57.2 x 48.5 (mm)
3.23 x 2.26 x 1.9 (inch)
- Connectors:
AC input : America 2 pin, Wall mount type
DC output : 6ft output cord



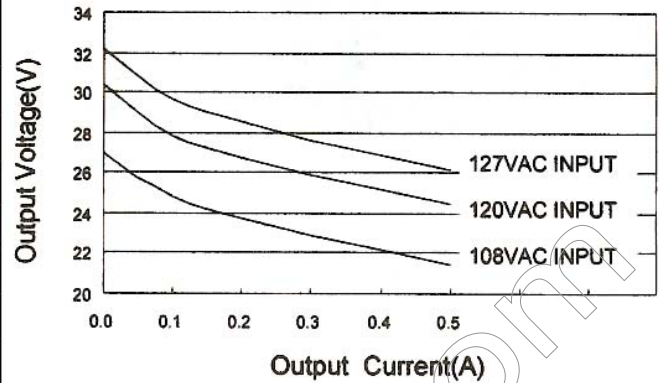
Linear Adapter (120V only)

EI48 UL
Unregulated wall-mount series

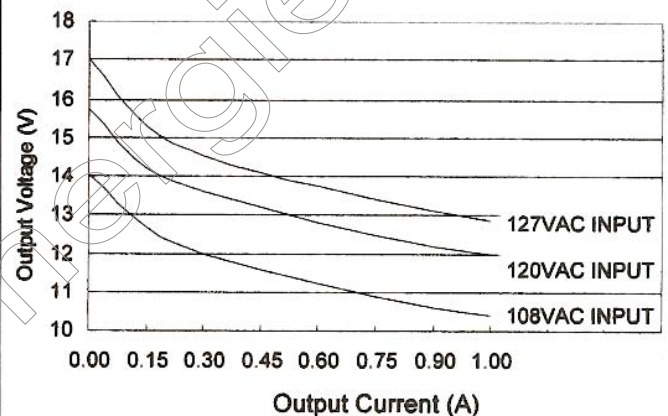
Output Specifications:

MODEL NO.	OUTPUT (VDC)	LOAD (A)	POWER (W)	NO LOAD (V)
WND-0512	5	1.2	6	< 8
WND-0518	5	1.6	9	< 8
WND-0520	5	2	10	< 9
WND-0610	6	1	6	< 10
WND-0615	6	1.5	9	< 10
WND-0620	6	1.8	12	< 10
WND-0907	9	0.7	6	< 13
WND-0910	9	1	9	< 13.5
WND-0914	9	1.4	12	< 14
WND-1206	12	0.55	6	< 17
WND-1208	12	0.8	9	< 17
WND-1210	12	1	12	< 17.5
WND-1505	15	0.45	6	< 20.5
WND-1506	15	0.6	9	< 20.5
WND-1508	15	0.8	12	< 21.5
WND-1804	18	0.35	6	< 25
WND-1805	18	0.5	9	< 25
WND-1807-A1	18	0.7	12	< 29
WND-2403	24	0.25	6	< 32
WND-2404	24	0.4	9	< 32
WND-2405	24	0.5	12	< 32
WND-3002	30	0.2	6	< 40
WND-3003	30	0.3	9	< 40
WND-3004	30	0.4	12	< 41
WND-3602	36	0.18	6	< 48
WND-3603	36	0.25	9	< 48
WND-3604	36	0.35	12	< 49
WND-4801	48	0.13	6	< 62
WND-4802	48	0.2	9	< 60
WND-4803	48	0.25	12	< 60

Output voltage and current curve:



WND-2405



WND-1210

Note:

The RMS ripple and noise of output is less than 800mV at rated load, 120V/60Hz AC input.