



Linear Adapter (230V only)

EI48 TUV Unregulated wall-mount series



Description:

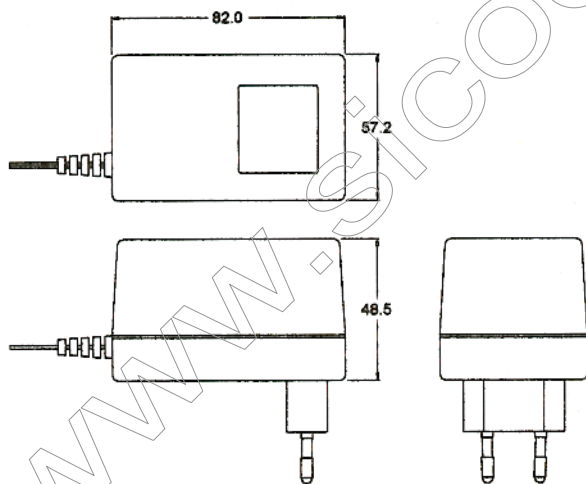
The EI48 TUV unregulated wall mount series is a single DC output, linear adapter.

It has a maximum output power up to 12W.

General Specifications:

Input voltage	230V AC + 10% -10%	Leakage current	<0.25mA
Input frequency	47Hz to 53Hz	Thermal protection	positive thermal cut-off
Outputs	see output table	Altitude	will operate properly at any altitude between 0 to 10000 ft.
Operating temperature	0°C to 40°C	Safety	TUV GS mark EN61558-1, EN61558-2-6
Storage temperature	-40°C to +85°C		TUV file no. E9924451

Mechanical Specifications:



Notes:

- Dimensions show in mm (inch) as above.
Tolerance specified is ± 2 mm (Excluding cables).
- Size: 82 x 57.2 x 48.5 (mm)
3.23 x 2.26 x 1.9 (inch)
- Connectors:
AC input : European 2 pin, Wall mount type
DC output : 6ft output cord



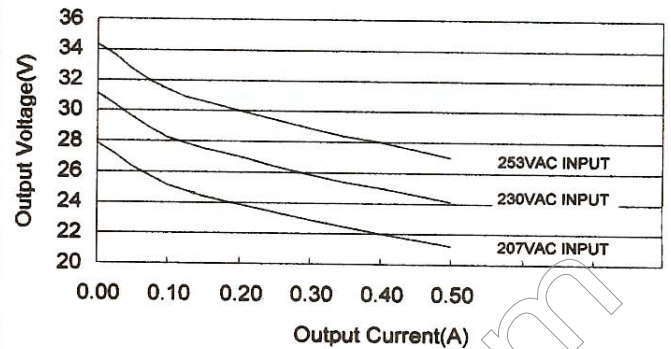
Linear Adapter (230V only)

EI48 TUV
Unregulated wall-mount series

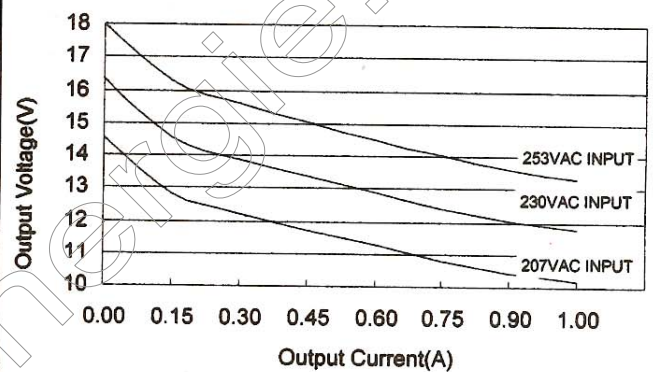
Output Specifications:

MODEL NO.	OUTPUT (VDC)	LOAD (A)	POWER (W)	NO LOAD (V)
WNG-0512	5	1.2	6	< 9
WNG-0516	5	1.6	8	< 9
WNG-0520	5	2	10	< 9
WNG-0610	6	1	6	< 10
WNG-0615	6	1.5	9	< 10
WNG-0618	6	1.8	10.8	< 10.5
WNG-0907	9	0.7	6	< 15
WNG-0910	9	1	9	< 15
WNG-0912	9	1.2	10.8	< 15
WNG-1205	12	0.5	6	< 19
WNG-1208	12	0.75	9	< 19
WNG-1210	12	1	12	< 19
WNG-1504	15	0.4	6	< 23
WNG-1506	15	0.6	9	< 23
WNG-1508	15	0.8	12	< 23
WNG-1804	18	0.35	6	< 26
WNG-1805	18	0.5	9	< 28
WNG-2403	24	0.25	6	< 35
WNG-2404	24	0.38	9.1	< 36
WNG-2405	24	0.5	12	< 35
WNG-3002	30	0.2	6	< 42
WNG-3003	30	0.3	9	< 44
WNG-3004	30	0.4	12	< 44
WNG-3602	36	0.17	6.1	< 50
WNG-3603	36	0.25	9	< 52
WNG-3604	36	0.34	12	< 52
WNG-4801	48	0.13	6.2	< 63
WNG-4802	48	0.19	9.1	< 67
WNG-4803	48	0.25	12	< 67

Output voltage and current curve:



WNG-2405



WNG-1210

Note:

The RMS ripple and noise of output is less than 800mV at rated load, 230V/50Hz AC input.