



**Description:**

The ECO-A05 series is an alternative solution from the A05 series, for commodity applications, at low cost. SNP-A05 series is a 50 W, universal input, switching adapter. With patent pending Ring-Free ZVS technology, higher efficiency is achieved to make it possibly being designed into a 65 x 135 x 40 mm box.

**Models available :**

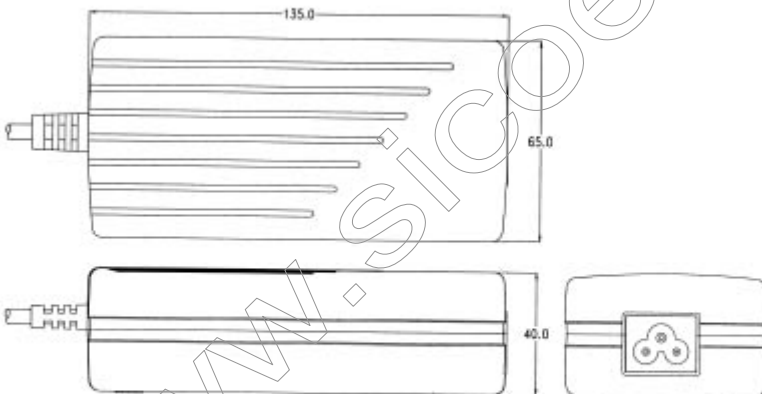
- SNP ECOA057 for 12V/4.2A
- SNP ECOA058 for 15V/3.3A
- SNP ECOA059 for 24V/2.2A
- SNP ECOA05T for 48V/1.1A

**General Specifications:**

Input voltage.....100VAC to 264VAC  
 Input frequency.....47Hz to 63Hz  
 Inrush current .....less than 60A at 230VAC  
 (cold start, 25 °C)  
 Meet green mode ..... < 0.5W (at no load)  
 Efficiency .....higher than 80% at rated load  
 Hold-up time .....> 10ms  
 at rated load and 115VAC  
 Over voltage protection .....Latch off  
 Short circuit protection .....auto recovery

Over load protection .....auto recovery  
 Operating temperature.....0 to 35°C  
 Cooling .....free air convection  
 Storage temperature.....-20°C to +85°C  
 EMI .....FCC docket 20780 curve "B"  
 EN55022 class "B"  
 Safety .....UL 60950, CSA 22.2 No. 234  
 TUV EN60950

**Mechanical Specifications:**



**Notes:**

- Dimensions shown in mm as above. Tolerance: +/-1mm (Excluding cables).
- Size: 65 x 135 x 40 (mm)
- Connectors: AC input : IEC 320 Inlet C6  
DC output : DC power Jack
- Box color : Black

-Ken-

**Output Specifications:**

MODEL NO.	OUTPUT RAIL	LOAD			VOLTAGE ACCURACY	RIPPLE NOISE	LINE REG.	LOAD REG.
		MIN.	RATED	PEAK				
SNP-A057	+12V	0A	4.2A		+11.40V~+12.60V	100mVpp	±3%	±5%
SNP-A058	+15V	0A	3.3A		+14.25V~+15.75V	100mVpp	±3%	±5%
SNP-A059	+24V	0A	2.2A		+22.80V~+25.20V	100mVpp	±3%	±5%
SNP-A05T	+48V	0A	1.1A		+45.60V~+50.40V	200mVpp	±3%	±5%

**Note:**

1. All the measurements are taken at rated load and nominal line unless specified.
2. The output voltage is set in production line within the voltage accuracy range at 60% rated load and nominal line.
3. Ripple and noise is measured by oscilloscope with 20MHz bandwidth limited and terminated the load with 0.47uF capacitor.
4. Line regulation is defined by changing ±10% of input voltage from nominal line at reated load.
5. Load regulation is defined by changing ±40% of load from 60% rated load at nominal line.
6. Hold up time is measured from the end of the last charging pulse to the time when the output drop down to regulation limit.