



Features :

- . Universal AC input / full range
- . Built-in active PFC function, PF>0.95
- . Protections: Short circuit / Over load / Over voltage / Over temperature
- . Forced air cooling by built-in DC fan
- . High power density 5.18 W/in³
- . Low profile : 43mm thickness
- . Built-in remote ON-OFF control
- . Active AC surge current limiting
- . 100% full load burn-in test

. 3 years warranty

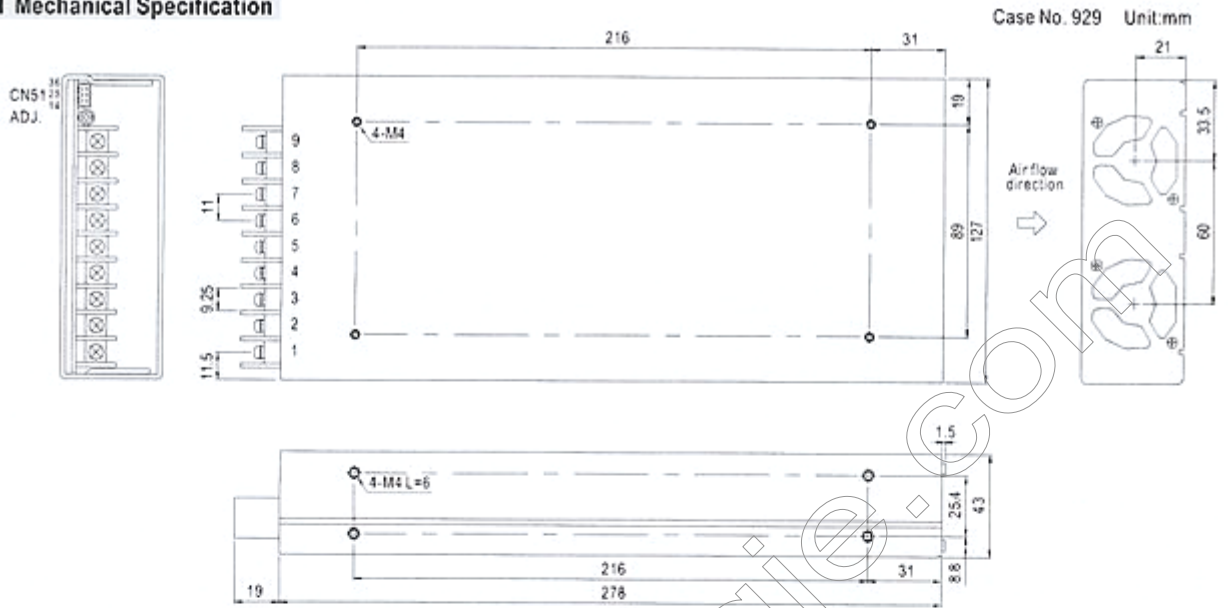
SPECIFICATION



MODEL	SP-480-3.3	SP-480-5	SP-480-12	SP-480-15	SP-480-24	SP-480-48	
OUTPUT	DC VOLTAGE	3.3V	5V	12V	15V	24V	48V
	RATED CURRENT	85A	85A	40A	32A	20A	10A
	CURRENT RANGE	0 ~ 85A	0 ~ 85A	0 ~ 43A	0 ~ 35A	0 ~ 22A	0 ~ 11A
	RATED POWER	280.5W	425W	480W	480W	480W	480W
	PEAK LOAD(10min.) Note.5	280.5W	425W	516W	525W	528W	528W
	RIPPLE & NOISE (max.) Note.2	80mVp-p	80mVp-p	120mVp-p	150mVp-p	150mVp-p	240mVp-p
	VOLTAGE ADJ. RANGE	2.9 ~ 3.6V	4.5 ~ 5.5V	10.8 ~ 13.2V	13.5 ~ 18V	22 ~ 27.6V	41 ~ 56V
	VOLTAGE TOLERANCE Note.3	±2.0%	±2.0%	±1.5%	±1.5%	±1.0%	±1.0%
	LINE REGULATION	±0.5%	±0.5%	±0.3%	±0.3%	±0.2%	±0.2%
	LOAD REGULATION	±1.0%	±1.0%	±0.5%	±0.5%	±0.5%	±0.5%
SETUP, RISE, HOLD TIME	1000ms, 80ms, 18ms/230VAC 2500ms, 80ms, 18ms/115VAC at full load						
INPUT	VOLTAGE RANGE	85 ~ 264VAC	120 ~ 370VDC				
	FREQUENCY RANGE	47~63Hz					
	POWER FACTOR	PF>0.95/230VAC		PF>0.98/115VAC at full load			
	EFFICIENCY (Typ.)	73%	79%	85%	85%	87%	89%
	AC CURRENT	6.5A/115VAC	3.5A/230VAC				
	INRUSH CURRENT (max.)	25A/115VAC	40A/230VAC				
LEAKAGE CURRENT	<2mA / 240VAC						
PROTECTION	OVER LOAD	87 ~ 103A	87 ~ 103A	45.15 ~ 58.05A	36.75 ~ 47.25A	23.1 ~ 29.7A	11.55 ~ 14.85A
	OVER VOLTAGE	3.8 ~ 4.45V	5.75 ~ 6.75V	13.8 ~ 16.2V	18 ~ 21V	28.8 ~ 33.6V	57.6 ~ 67.2V
	OVER TEMPERATURE Note.4	80 °C (TSW1) Detect on heatsink of power transistor 90 °C (TSW2) Detect on heatsink of power diode Protection type : Shut down o/p voltage, recovers automatically after conditions is removed Protection type : Shut down o/p voltage, recovers automatically after temperature goes down					
FUNCTION	REMOTE CONTROL RC+/RC-: 0 ~ 0.8V=power on; 4 ~ 10V=power off						
ENVIRONMENT	WORKING TEMP.	-20 ~ +60 °C (Refer to output load derating curve)					
	WORKING HUMIDITY	20 ~ 90% RH non-condensing					
	STORAGE TEMP., HUMIDITY	-40 ~ +85 °C, 10 ~ 95% RH					
	TEMP. COEFFICIENT	±0.03%/°C (-10 ~ 50 °C)					
SAFETY & EMC (Note 6)	VIBRATION	10 ~ 500Hz, 2G 10min./1cycle, 60min. each along X, Y, Z axes					
	SAFETY STANDARDS	UL60950-1, TUV EN60950-1 Approved					
	WITHSTAND VOLTAGE	I/P-O/P: 3KVAC I/P-FG: 1.5KVAC O/P-FG: Short					
	ISOLATION RESISTANCE	I/P-O/P, I/P-FG, O/P-FG: 100M Ohms/500VDC					
	EMI CONDUCTION & RADIATION	Compliance to EN55022 (CISPR22) Class B					
	HARMONIC CURRENT	Compliance to EN61000-3-2, -3					
OTHERS	EMS IMMUNITY	Compliance to EN61000-4-2, 3, 4, 5, 6, 8, 11; ENV50204, EN61000-6-2 (EN50082-2) light industry level, criteria A					
	MTBF	120.5K hrs min. MIL-HDBK-217F (25 °C)					
NOTE	DIMENSION	278*127*43mm (L*W*H)					
	PACKING	1.6Kg; 6pcs/9.6Kg/0.67CUFT					



Mechanical Specification



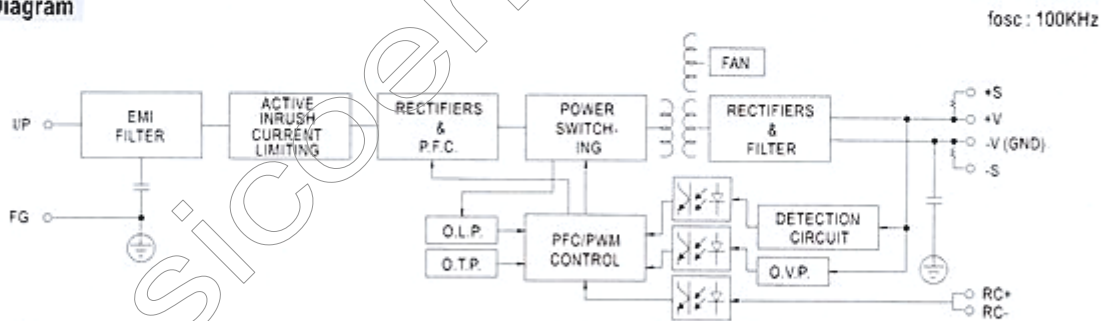
Terminal pin number assignment :

Pin No.	Assignment	Pin No.	Assignment
1	AC/L	4-6	-V
2	AC/N	7-9	+V
3	FG		

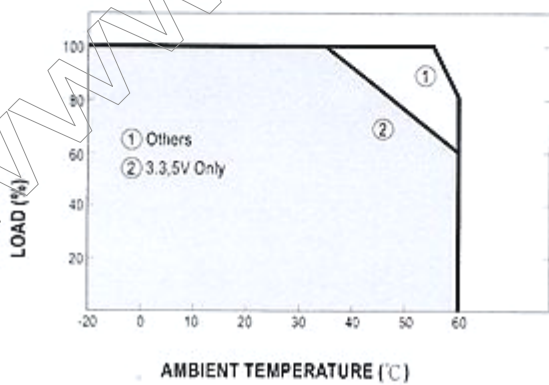
Connector pin number assignment (CN51) : JST B6B-PHDS or equivalent

Pin No.	Assignment	Pin No.	Assignment	Mating Housing	Terminal
1	GND	4	P	JST PHDR-06VS or equivalent	JST SPHD-002T-P0.5 or equivalent
2	RC-	5	RC+		
3	S	6	+S		

Block Diagram



Derating Curve



Static Characteristics

