



100 W

100W Single output Switching power supply with PFC **MW SP 100** series**Features :**

- . Universal AC input / Full range
- . PFC >0.98 at 230 VAC
- . Protections : short circuit / over load / over voltage
- . Fix switching frequency at 134KHz
- . Remote on/off control (option)
- . Free air cooling convection
- . Approvals : UL / CUL / TUV / CB / CE
- . 100% full load burn-in test

3 years warranty



Model	SP100 3.3	SP100 5	SP100 7.5	SP100 12	SP100 13.5	SP100 15	SP100 24	SP100 27	SP100 48
DC output voltage	3.3V	5V	7.5V	12V	13.5V	15V	24V	27V	48V
Output voltage tolerance	+2%	+2%	+2%	+2%	+2%	+2%	+1%	+1%	+1%
Output rated current	20A	20A	13.5A	8.5A	7.5A	6.7A	4.2A	3.8A	2.1A
Output current range	0~20	0~20	0~13.5	0~8.5	0~7.5	0~6.7	0~4.2	0~3.8	0~2.1
Ripple & noise	100mV	100mV	100mV	100mV	100mV	100mV	150mV	150mV	250mV
Line regulation	+0.5%	+0.5%	+0.5%	+0.5%	+0.5%	+0.5%	+0.5%	+0.5%	+0.5%
Load regulation	+1%	+1%	+1%	+0.5%	+0.5%	+0.5%	+0.5%	+0.5%	+0.5%
DC output power	66W	100W	101W	102W	101W	100W	100W	102W	100W
Efficiency	70%	76%	78%	80%	80%	82%	84%	83%	82%
DC voltage adjustment	10-5%								
Input voltage range	85~264VAC / ; 47~63Hz ; 120~370 VDC								
AC current	1.3A / 115 V ; 0.75A / 230 V (3.3V : 1A:115V 0.6A/230V)								
Power factor	PF>0.93/230VAC ; PF>0.98/115VAC								
Remote control (option)	CN1 : 3V-15VDC power on, <3VDC power off								
Inrush current	Cold start 40A/230VAC								
Leakage current	<2mA/240VAC								
Over-load protection	105~150% Type : Constant current limiting Reset : auto-recovery								
Over-voltage protection	110~135% Type : shutdown Reset :re-power on								
Temperature coefficient	+0.05% /°C (0°~50°C)								
Set-up, Rise, Hold-up time	600ms, 30ms, 20ms								
Vibration	10~500Hz, 2G 10min./1cycle, period for 60min. Each axes								
Withstand voltage	I/P-O/P: 3KVACVAC I/P-FG: 1.5 KVAC ; O/P-FG : 0.5 KVAC								
Isolation resistance	I/P-O/P, I/P-FG, O/P-FG : 500 VDC /100MΩ								
Working temp. & humidity	-10°C~+60°C (refer to output derating curve) 20~90% R.H.								
Storage temp. & humidity	-20°C~+85°C, 10%~95% R.H. (non-condensing)								
Dimensions	179 x 99x 45 mm (Length x Width x Height) case 916A								
Weight	600 gr								
Safety standards	UL1950, TUV EN60950 approved								
EMC standards	CISPR22 (EN55022) ClassB,EN61000-4-2,3,4,5,6,8,11 ; ENV61000-3-2,-3 verification								
Notes:	-All parameters are specified at 230VAC input, rated load, 25°C & 70% R.H. ambient. - Tolerance include setup tolerance, line regulation, load regulation. - Ripple & Noise are measured at 20MHz by using a 12" twisted pair terminated with a 0.1yF & 47uF capacitor. - Line regulation is measured from low line to high line at rated load. - Refer to output derating curve vs input voltage								

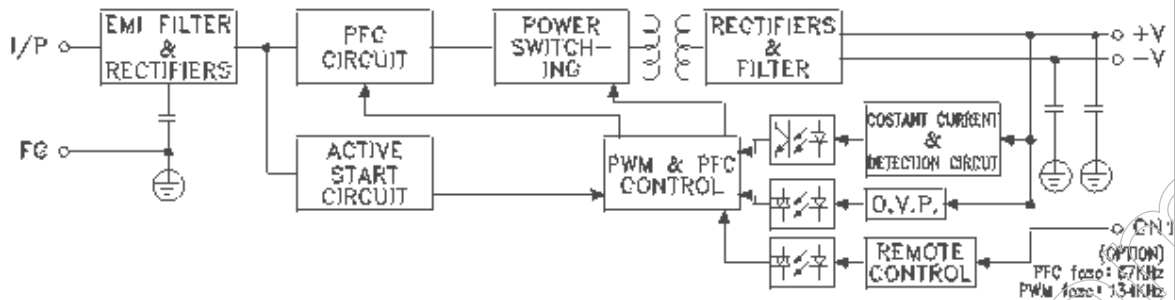


100 W

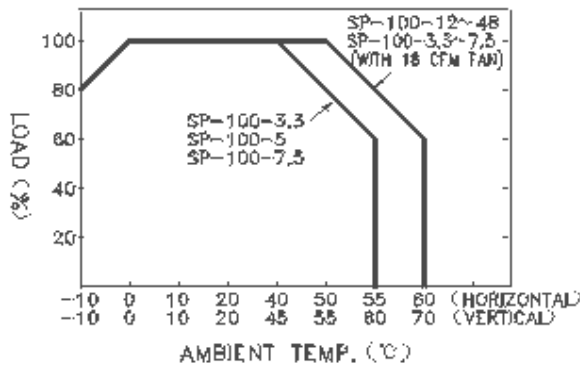
100W Single output Switching power supply with PFC **MW SP 100** series

SP-100 SERIES

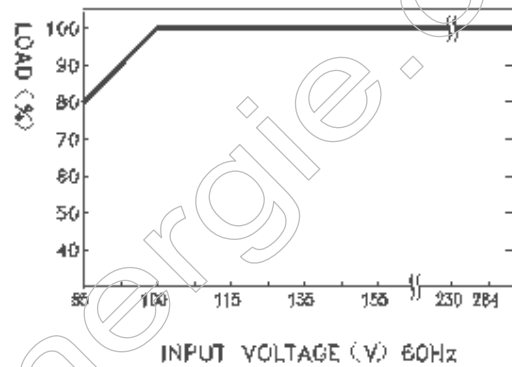
BLOCK DIAGRAM



OUTPUT DERATING VS T_a



OUTPUT DERATING VS INPUT VOLTAGE



DIMENSION (mm)

- ☒ CASE : 915A
- ☒ TERMINAL PIN NO. ASSIGNMENT
- ☒ PIN 1,2 : AC INPUT
- ☒ PIN 3 : FG =
- ☒ PIN 4,5 : DC OUTPUT -V
- ☒ PIN 6,7 : DC OUTPUT +V
- ☒ CN1 : REMOTE CONTROL (OPTION) (JST S2B-XH COMPATIBLE)

