



Features :

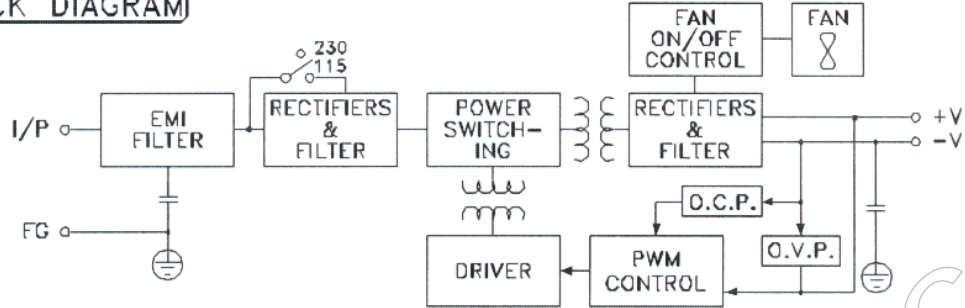
- . International AC input range selected by switch
- . Protection : short circuit / over load
- . Fix switching frequency at 25KHz
- . Built-in EMI filter, low ripple noise
- . Compact size, light weight
- . Free air cooling convection
- . 100% full load burn-in test
- . Low cost, high reliability

1 year warranty

Model	S201-5	S201-7.5	S201-12	S201-13.5	S201-15	S201-24	S201-27	S201-48
DC output voltage	5V	7.5V	12V	13.5V	15V	24V	27V	48V
Output voltage tolerance	±2%	±2%	±1%	±1%	±1%	±1%	±1%	±1%
Output rated current	40A	26.5A	16.5A	14.7A	13A	8.3A	7.4A	4.2A
Output current range	0~40	0~26.5	0~16.5	0~14.7	0~13	0~8.3	0~7.4	0~4.2
Ripple & noise	150mVp-p	150mVp-p	150mVp-p	150mVp-p	150mVp-p	150mVp-p	200mVp-p	240mVp-p
Line regulation	±0.5%	±0.5%	±0.5%	±0.5%	±0.5%	±0.5%	±0.5%	±0.5%
Load regulation	±1%	±1%	±0.5%	±0.5%	±0.5%	±0.5%	±0.5%	±0.5%
DC output power	200W	198.5W	198W	198.5W	198W	199.2W	199.8W	201.6W
Efficiency	74%	79%	80%	80%	81%	83%	83%	84%
DC voltage adjustment (V)	4.5~5.6	6~9	10~13.2	12~15	13.5~18	20~26.4	26~32	41~56
Input voltage range	90~132VAC / 180~264VAC selected by switch ; 47~63Hz ; 254~370 VDC							
AC current	4.5A / 115 V ; 2.5A 230 V							
Inrush current	Cold start 25A/115V 50A/230V							
Leakage current	<3.5mA/240VAC							
Over-load protection	105~135% Type : pulsing hiccup shutdown Reset : auto-recovery							
Over-voltage protection	5.75~6.75	9.4~10.9	13.8~16.2	15.5~18.2	18~21	27.6~32.4	33.7~39.2	57.6~67.2
Temperature coefficient	±0.03% /°C (0°~50°C)							
Set-up, Rise, Hold-up time	200ms, 100ms, 20ms							
Vibration	10~500Hz, 2G 10min./1cycle, period for 60min. Each axes							
Withstand voltage	I/P-O/P: 3KVACVAC I/P-FG: 1.5 KVAC ; O/P-FG : 0.5 KVAC							
Isolation resistance	I/P-O/P, I/P-FG, O/P-FG : 500VDC /100MΩ							
Working temp. & humidity	-10°C~+50°C (refer to output derating curve) 20~90% R.H.							
Storage temp. & humidity	-20°C~+85°C, 10%~95% R.H. (non-condensing)							
Dimensions	215 x 115 x 50 mm (Length x Width x Height) case 912							
Weight	0.9 Kg							
Safety standards	Design refer to UL 1950							
EMC standards	Design refer to FCC Part15J conduction Class A							
Notes:	-All parameters are specified at 230VAC input, rated load, 25°C & 70% R.H. ambient. - Tolerance include setup tolerance, line regulation, load regulation. - Ripple & Noise are measured at 20MHz by using a 12" twisted pair terminated with a 0.1yF & 47uF capacitor. - Line regulation is measured from low line to high line at rated load. - Load regulation is measured from 0% to 100% rated load							

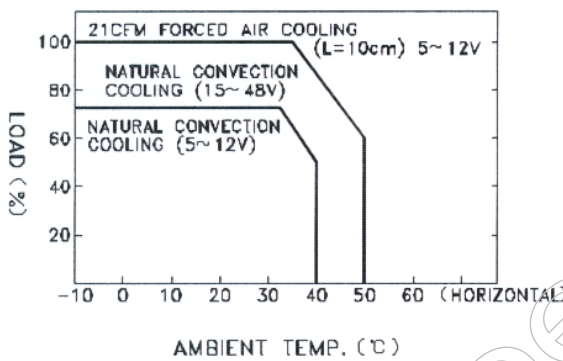


BLOCK DIAGRAM

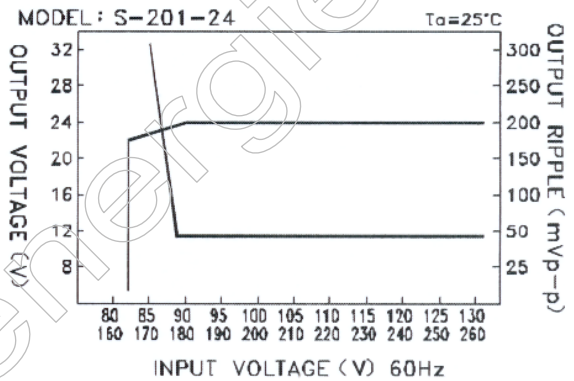


$f_{osc} : 25KHz$

OUTPUT DERATING



STATIC CHARACTERISTICS



DIMENSION (mm)

- ☒ CASE : 912
- ☒ TERMINAL PIN NO. ASSIGNMENT
- ☒ PIN 1,2 : AC INPUT
- ☒ PIN 3 : FG
- ☒ PIN 4,5,6: DC OUTPUT -V
- ☒ PIN 7,8,9: DC OUTPUT +V

