

**Features :**

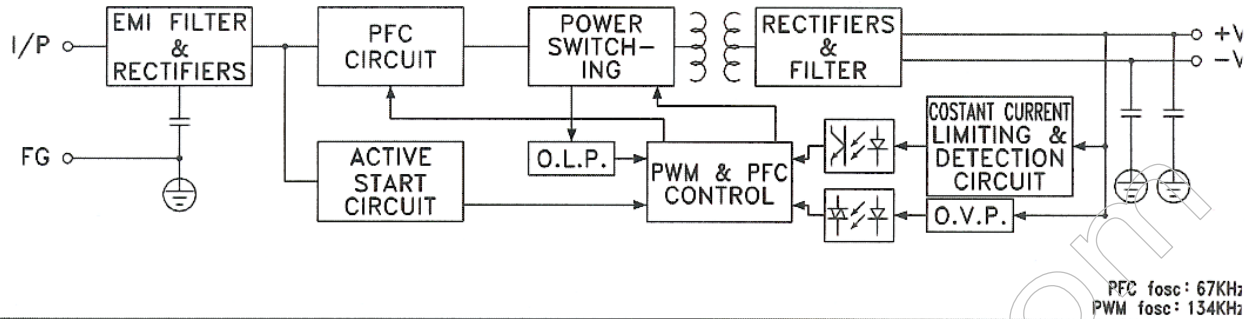
- . Low cost, High reliability
- . 105°C output capacitor
- . International AC input range
- . High efficiency, Low working temperature
- . Soft-start circuit, Limiting AC surge current
- . Short circuit, Over-load, Over-voltage protected
- . Compact size, Light weight
- . 100% full load burn-in test
- . Built-in EMI filter, Low ripple noise
- . Built-in PFC circuit

. 3 years warranty

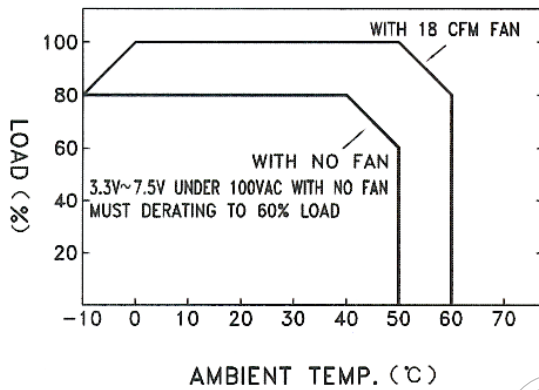


Specification	Model	LPP150 3.3	LPP150 5	LPP150 7.5	LPP150 12	LPP150 13.5	LPP150 15	LPP150 24	LPP150 27	LPP150 48
DC output voltage		3.3V	5V	7.5V	12V	13.5V	15V	24V	27V	48V
Output voltage tolerance		±2%	±2%	±2%	±2%	±2%	±2%	±1%	±1%	±1%
Output rated current		30A	30A	20A	12.5A	11.2A	10A	6.3A	5.6A	3.2A
Output current range		0-30A	0-30A	0-20A	0-12.5A	0-11.2A	0-10A	0-6.3A	0-5.6A	0-3.2A
Ripple & noise		100mV	100mV	100mV	100mV	100mV	100mV	150mV	150mV	250mV
Line regulation		±0.5%	±0.5%	±0.5%	±0.5%	±0.5%	±0.5%	±0.5%	±0.5%	±0.5%
Load regulation		±1%	±1%	±1%	±1%	±1%	±1%	±0.5%	±0.5%	±0.5%
Rated output power		99W	150W	150W	150W	151.2W	150W	150W	151.2W	153.6W
Efficiency		66%	72%	76%	79%	80%	80%	83%	83%	84%
DC voltage adjustment		+10, -5%								
Input voltage range		85~264VAC 47~63Hz ; 120~370VDC								
AC current		2.2A/115V ; 1.1A/230V ; 3.3V :1.5A/115V 0.8A/230V								
Inrush current		Cold start 40A/230V								
Leakage current		<3.5mA/240VAC								
Over-load protection		105%~150% type : constant current limiting . Reset : auto-recovery								
Over-voltage protection		110%~135% Type : Shutdown Reset : re-Power on								
Temperature coefficient		±0.05% /°C (0°~50°C)								
Set-up, Rise, Hold-up time		600ms, 30ms, 20ms								
Power factor		PF>0.96/230VAC, PF>0.98/115VAC								
Vibration		10~500Hz, 2G 10min./1cycle, period for 60min. Each axes								
Withstand voltage		I/P-O/P: 3KVAC I/P-FG: 1.5KVAC O/P-FG: 0.5KVAC								
Isolation resistance		I/P-O/P, I/P-FG, O/P-FG: 500VDC / 100MΩ								
Working temp. & humidity		-10°C~60°C (refer to output derating curve), 20%~90% R.H.								
Storage temp. & humidity		-20°C~+85°C, 10%~95% R.H. ( non-condensing )								
Dimensions		222 x 75 x 41 mm ( Length x Width x Height ) PCB only								
Weight		550 gr								
Safety standards		UL1950, TUV EN60950 Approved								
EMC standards		CISPR22 (EN55022) class B, EN61000-4-2,3,4,5,6,8,11 ; ENV61000-3-2, -3								
Notes:		-All parameters are specified at 230VAC input, rated load, 25°C & 70% R.H. ambient. - Tolerance include set up tolerance, line regulation, load regulation - Ripple & Noise are measured at 20MHz by using a 12" twisted pair terminated with a 0.1yF & 47uF capacitor. - Line regulation is measured from low line to high line at rated load								

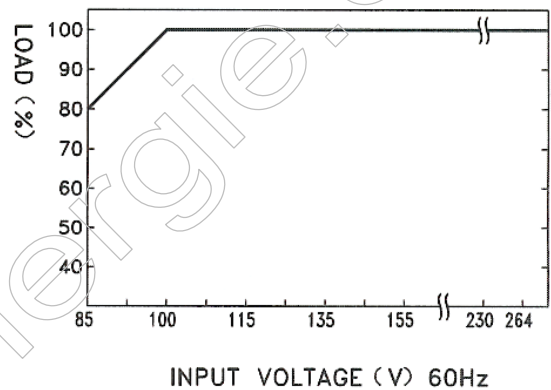
**BLOCK DIAGRAM**



**OUTPUT DERATING VS T<sub>a</sub>**



**OUTPUT DERATING VS INPUT VOLTAGE**



**DIMENSION (mm)**

☒ TERMINAL PIN NO. ASSIGNMENT

- ☒ CN1 : JST B5P-VH  
PIN 1,3,5 : AC INPUT
- ☒ CN2 : JST B6P-VHx2  
☒ PIN 1,2,3,4,5,6 : DC OUTPUT -V  
☒ PIN 7,8,9,10,11,12 : DC OUTPUT +V

☒ MATING CONNECTORS

- ☒ CN1,2 MATING CONNECTOR TYPE  
JST VHR SERIES OR EQUIVALENT WITH  
JST SVH-21T-P1.1 OR EQUIVALENT  
CRIMP TERMINALS.

