

Features :

- . Low cost, High reliability
- . 105°C output capacitor
- . International AC input range
- . High efficiency, Low working temperature
- . Soft-start circuit, Limiting AC surge current
- . Short circuit, Overload protected
- . Compact size, Light weight
- . 100% full load burn-in test
- . Built in EMI filter, Low ripple noise

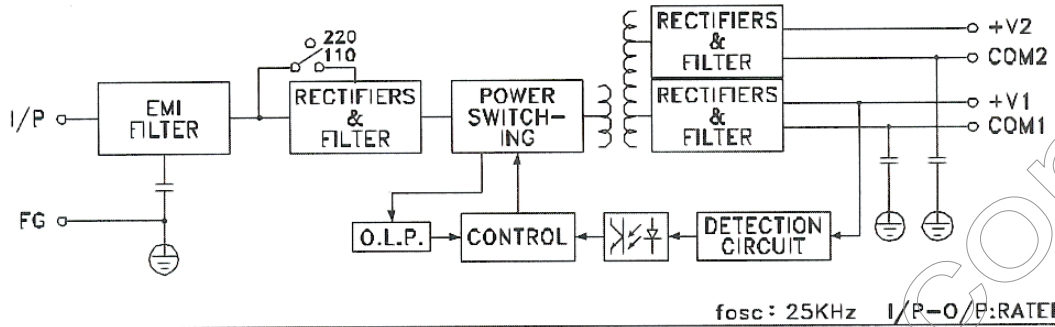
. ISO 9001 certified manufacturer



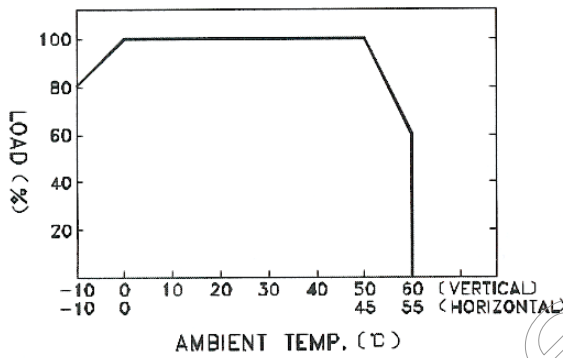
| SPECIFICATION             | ID-30B  |          |
|---------------------------|---|----------|
|                           | CH1   | CH2      |
| DC OUTPUT VOLTAGE         | 5V  | 24V      |
| OUTPUT V. TOLERANCE       | ±2%   | ±7%      |
| OUTPUT RATED CURRENT      | 2.2A  | 1A       |
| OUTPUT CURRENT RANGE      | 0.1-2.2A  | 0.1-1A   |
| RIPPLE & NOISE (NOT5)     | 100mVp-p  | 150mVp-p |
| LINE REGULATION           | ±0.5%   | ±0.5%    |
| LOAD REGULATION (NOTE6)   | ±1.5%   | ±6.5%    |
| DC OUTPUT POWER           | 35W   |          |
| EFFICIENCY                | 72%   |          |
| DC VOLTAGE ADJ.           | CH1: 4.6-5.5V   |          |
| INPUT VOLTAGE RANGE       | 90~130VAC / 180~260VAC SELECTED BY SWITCH ON PCB  |          |
| AC CURRENT                | 0.8A/110V 0.4A/220V   |          |
| INRUSH CURRENT            | 25A/110V 50A/220V   |          |
| SHORT PROTECTION          | FOLD BACK CURRENT LIMITING  |          |
| OVERLOAD PROTECTION       | 105%~150%   |          |
| TEMP. COEFFICIENT         | ±0.05% / °C   |          |
| SETUP, RISE, HOLD UP TIME | 250ms, 100ms, 20ms  |          |
| WITHSTAND VOLTAGE         | IP-OP:1.5KVAC IP-FG:1.5KVAC OP-FG:0.5KVAC   |          |
| WORKING TEMP., HUMIDITY   | 0°C~+50°C(REFER TO OUTPUT DERATING CURVE), 20%~90% RH   |          |
| STORAGE TEMP., HUMIDITY   | -20°C~+85°C, 10%~95% RH   |          |
| DIMENSION                 | 129*98*38mm CASE:903  |          |
| WEIGHT                    | 0.4Kgs  |          |
| SAFETY STANDARDS          | MEET UL1012 REQUIREMENT (NOT APPLY FOR THE MARK)  |          |
| EMC STANDARDS             | MEET FCC PART15 J CONDUCTION CLASS A  |          |
| NOTE :                    | 1.EACH OUTPUT CAN PROVIDE UP TO MAXIMUM CURRENT, BUT TOTAL LOAD CAN NOT EXCEED MAX. OUTPUT POWER.<br>2.TOLERANCE INCLUDE SET UP TOLERANCE, LINE REGULATION, LOAD REGULATION, CROSS REGULATION.<br>3.RIPPLE & NOISE ARE MEASURED BY USING A 12" TWISTED PAIR TERMINATED WITH A 47uF CAPACITOR.<br>4.ALL PARAMETERS ARE SPECIFIED AT 110/220VAC INPUT, RATED LOAD, 25°C AMBIENT.<br>5.AT CH1,CH2 0.5A.<br>6.AT CH1,CH2 0.1A/CH1,CH2 0.5A. |          |



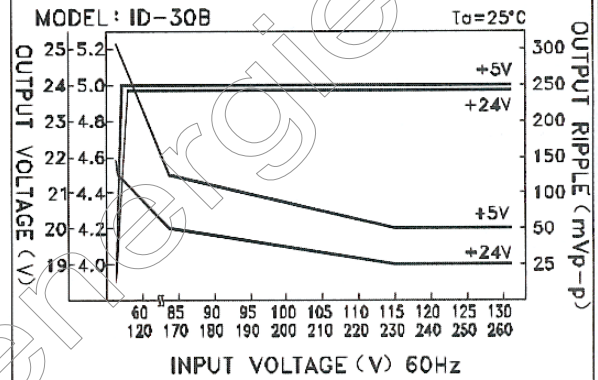
**BLOCK DIAGRAM**



**OUTPUT DERATING**



**STATIC CHARACTERISTICS**



**DIMENSION (mm)**

- ☒ CASE : 903
- ☒ TERMINAL PIN NO. ASSIGNMENT
  - ☒ PIN 1,2 : AC INPUT
  - ☒ PIN 3 : FG
  - ☒ PIN 4 : DC OUTPUT COM2
  - ☒ PIN 5 : DC OUTPUT +V
  - ☒ PIN 6 : DC OUTPUT COM1
  - ☒ PIN 7 : DC OUTPUT +5V

